

**File Name:** complete manual of racing and betting systems.pdf

**Size:** 4387 KB

**Type:** PDF, ePub, eBook

**Category:** Book

**Uploaded:** 11 May 2019, 12:24 PM

**Rating:** 4.6/5 from 715 votes.

**Status:** AVAILABLE

Last checked: 8 Minutes ago!

**In order to read or download complete manual of racing and betting systems ebook, you need to create a FREE account.**

[\*\*Download Now!\*\*](#)

eBook includes PDF, ePub and Kindle version

[Register a free 1 month Trial Account.](#)

[Download as many books as you like \(Personal use\)](#)

[Cancel the membership at any time if not satisfied.](#)

[Join Over 80000 Happy Readers](#)

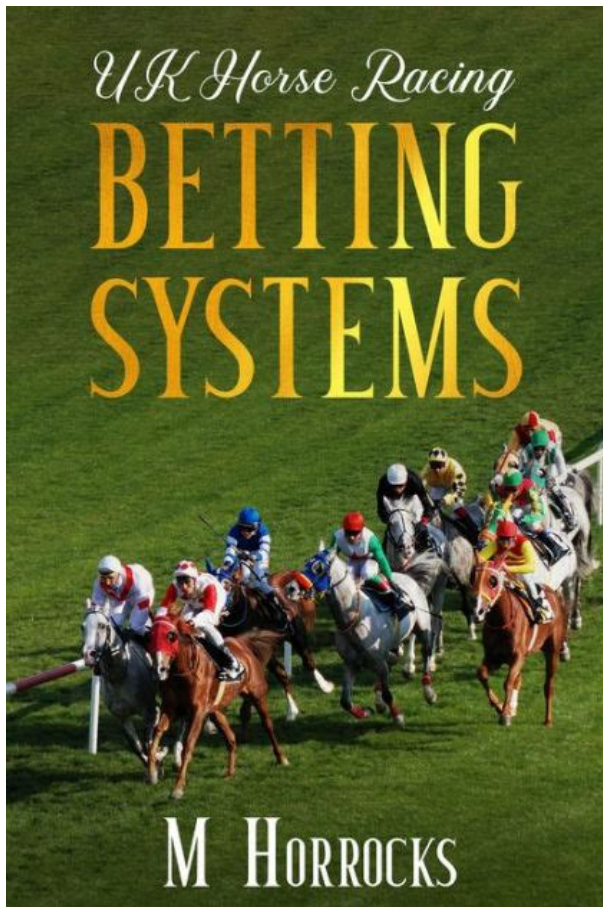
### Book Descriptions:

We have made it easy for you to find a PDF Ebooks without any digging. And by having access to our ebooks online or by storing it on your computer, you have convenient answers with complete manual of racing and betting systems . To get started finding complete manual of racing and betting systems , you are right to find our website which has a comprehensive collection of manuals listed. Our library is the biggest of these that have literally hundreds of thousands of different products represented.



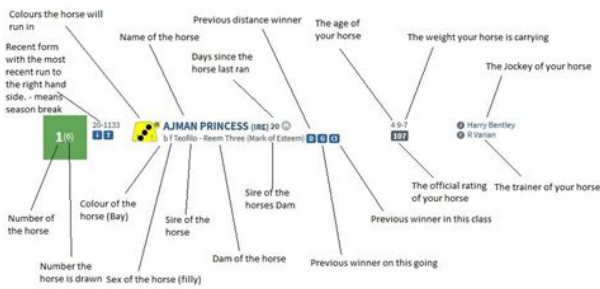
## Book Descriptions:

# complete manual of racing and betting systems



Used Very Good No Highlight or Markings. Non Smoker Household. Something we hope you'll especially enjoy. FBA items qualify for FREE Shipping and Amazon Prime. Learn more about the program. Please try again. Please try again. Please try your request again later. That's because there is often more madness than method in how they choose to place their money. While there's no such thing as the perfect winning strategy, David Duncan has the formula for breaking that losing streak and it's one that novices can follow as easily as the experts. The racetrack is one place where mixing business with pleasure should be the goal. This is the ultimate manual for everyone who shares that belief. Then you can start reading Kindle books on your smartphone, tablet, or computer—no Kindle device required. In order to navigate out of this carousel please use your heading shortcut key to navigate to the next or previous heading. Register a free business account. To calculate the overall star rating and percentage breakdown by star, we don't use a simple average. Instead, our system considers things like how recent a review is and if the reviewer bought the item on Amazon. It also analyzes reviews to verify trustworthiness. Its clearly written and informative. For example there are descriptions of most of the racecourses in the UK. There are explanations of various betting tactics, handicaps etc. When this book was published internet betting was in its infancy and this is an area that would need to be expanded in a future edition. This is a good starting point for a newcomer to betting, as long as one bears in mind that the book is over ten years old. At present there does not seem to be a similar more up to date book currently available. Sorry, we failed to record your vote. Please try again. Sorry, we failed to record your vote. Please try again. Sorry, we failed to record your vote. Please try again. Sorry, we failed to record your vote. Please try again. Sorry, we failed to record your vote. Please try again. Sorry, we failed to record your vote. Please try again. Sorry, we failed to record your vote. Please try again. Sorry, we failed to record your vote. Please try again. Sorry, we failed to record your vote. Please try again. Sorry, we failed to record your vote. <http://feng-huametal.com/userfiles/extraflame-melinda-manual.xml>

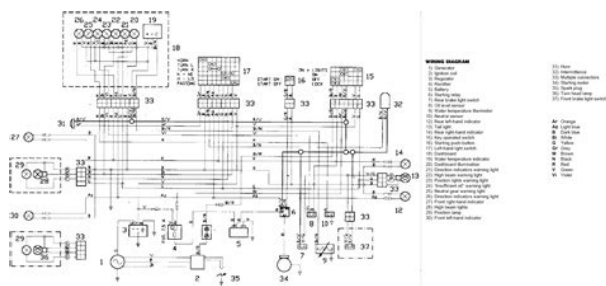
• 1.0.



Please try again Postage on all books is far to high, will not buy anymore for that reason Sorry, we failed to record your vote. Please try again Sorry, we failed to record your vote. Please try again Sorry, we failed to record your vote. Please try again Sorry, we failed to record your vote. Please try again Full of useful information. Sorry, we failed to record your vote. Please try again Sorry, we failed to record your vote. Please try again Sorry, we failed to record your vote. Please try again It gives some straightforward systems to narrow down the selections though I think the authors ideas of value are a bit suspect. I think it will still save you money, though whether it will make you any is another matter any system will have its limitations compared with fullblown pouring over the form books. Sorry, we failed to record your vote. Please try again Sorry, we failed to record your vote. Please try again. Used GoodPlease try again. Please try again. Please try your request again later. That's because there is often more madness than method in how they choose to place their money. While there's no such thing as the perfect winning strategy, David Duncan has the formula for breaking that losing streak and it's one that novices can follow as easily as the experts. The racetrack is one place where mixing business with pleasure should be the goal. This is the ultimate manual for everyone who shares that belief. Then you can start reading Kindle books on your smartphone, tablet, or computer no Kindle device required. To calculate the overall star rating and percentage breakdown by star, we don't use a simple average. Instead, our system considers things like how recent a review is and if the reviewer bought the item on Amazon. It also analyzes reviews to verify trustworthiness. Its clearly written and informative. For example there are descriptions of most of the racecourses in the UK. [http://htc-service.ru/imgeditor/extrablame\\_service\\_manual.xml](http://htc-service.ru/imgeditor/extrablame_service_manual.xml)



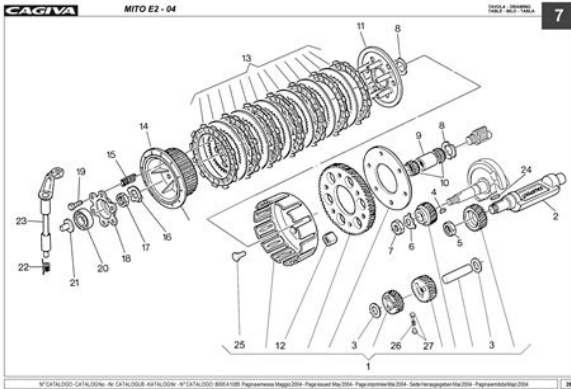
Read More, Spend Less. All pages are intact, and the cover is intact. The spine may show signs of wear. Pages can include limited notes and highlighting, and the copy can include previous owner inscriptions. At ThriftBooks, our motto is Read More, Spend Less. Condition Used Very Good. VG paperback. 1st ed. A tidy copy in tight binding. Condition Used Very Good. VG paperback. 1st ed. A tidy copy in tight binding. Buy with confidence. Clean, undamaged book with no damage to pages and minimal wear to the cover. Spine still tight, in very good condition. Remember if you are not happy, you are covered by our 100% money back guarantee. David gives the three winning ways that helps punters with their betting selections. Internally tight, bright and clean. When securely packed this item will weigh in the region of 417g.



<https://labroclub.ru/blog/boss-db-60-dr-beat-metronome-manual-0>

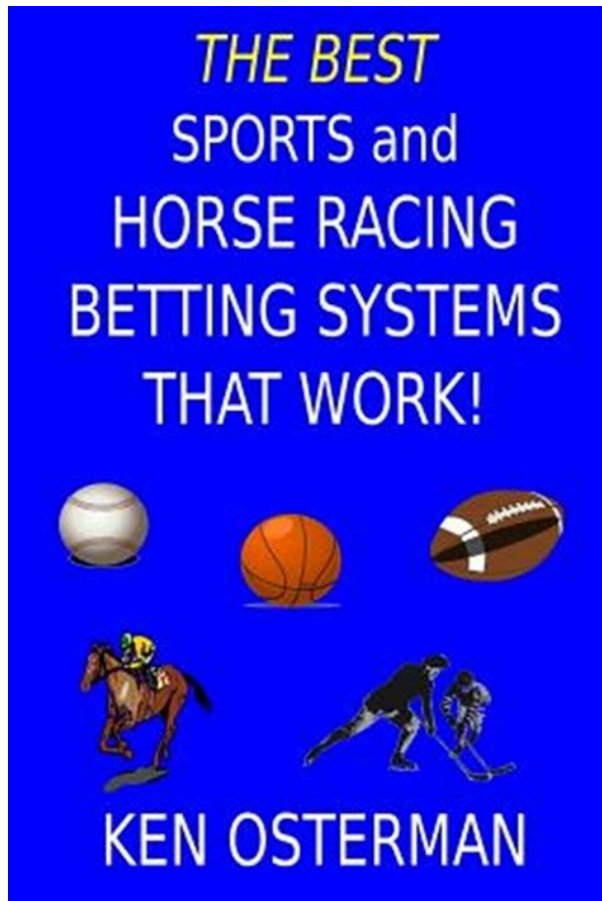
The quoted postage for international orders is based on a standard book weight. Where a book is lighter, we will reduce the postage accordingly. If the book is heavier, we will request additional postage. We make no profit on postal charges. All our books are photographed so you can see what you are buying. ABE may, however, display a stock image whilst processing ours. Condition Very Good. The book has been read, but is in excellent condition. Pages are intact and not marred by notes or highlighting. The spine remains undamaged. Condition Good. The book has been read but remains in clean condition. All pages are intact and the cover is intact. Some minor wear to the spine. Item is in very good condition. Book is in Used Good condition. Pages and cover are clean and intact. Used items may not include supplementary materials such as CDs or access codes. May show signs of minor shelf wear and contain limited notes and highlighting. We are committed to providing you with reliable and efficient service at all times. We have dispatched from our book depository; items of good condition to over ten million satisfied customers worldwide. We are committed to providing you with reliable and efficient service at all times. Buy with confidence. Condition Very Good. The book has been read, but is in excellent condition. Pages are intact and not marred by notes or highlighting. The spine remains undamaged. Pages are intact and not marred by notes or highlighting. The spine remains undamaged. Most items will be dispatched the same or the next working day. We are committed to providing you with reliable and efficient service at all times. Condition Good. The book has been read but remains in clean condition. All pages are intact and the cover is intact. Some minor wear to the spine. Some shelf and edge wear, some cover creases, some foxing to endpapers and edges of reading block.; Nice tight copy, no names inside. Cover photo uncredited.

[MIECZEWO.COM/images/case-w14-shop-manual.pdf](http://MIECZEWO.COM/images/case-w14-shop-manual.pdf)



; 128 pages; A guide to betting sensibly on horse racing based on statistical analysis. Our BookSleuth is specially designed for you. All Rights Reserved. That's because there is often more madness than method in how they choose to place their money. While there's no such thing as the perfect winning strategy, David Duncan has the formula for breaking that losing streak and it's one that novices can follow as easily as the experts. The racetrack is one place where mixing business with pleasure should be the goal. This is the ultimate manual for everyone who shares that belief. Written by a well-known author, this book is up-to-date with all the systems to help you win, and provides the knowledge that bookmakers usually keep to themselves. Buy with confidence. Clean, undamaged book with no damage to pages and minimal wear to the cover. Spine still tight, in very good condition. Remember if you are not happy, you are covered by our 100% money back guarantee. The New Complete Manual of Racing and Betting Systems This book is in very good condition and will be shipped within 24 hours of ordering. The cover may have some limited signs of wear but the pages are clean, intact and the spine remains undamaged. This book has clearly been well maintained and looked after thus far. Money back guarantee if you are not satisfied. See all our books here, order more than 1 book and get discounted shipping. Internally tight, bright and clean. When securely packed this item will weigh in the region of 417g. The quoted postage for international orders is based on a standard book weight. Where a book is lighter, we will reduce the postage accordingly. If the book is heavier, we will request additional postage. We make no profit on postal charges. All our books are photographed so you can see what you are buying. ABE may, however, display a stock image whilst processing ours. Condition Very Good. The book has been read, but is in excellent condition.

[MIKROTIKPERU.COM/images/case-vac-tractor-service-manual.pdf](http://MIKROTIKPERU.COM/images/case-vac-tractor-service-manual.pdf)



Pages are intact and not marred by notes or highlighting. The spine remains undamaged. Condition Good. The book has been read but remains in clean condition. All pages are intact and the cover is intact. Some minor wear to the spine. All Rights Reserved. Please try again. Please try again. To calculate the overall star rating and percentage breakdown by star, we do not use a simple average. Instead, our system considers things like how recent a review is and if the reviewer bought the item on Amazon. It also analyses reviews to verify trustworthiness. That's because there is often more madness than method in how they choose to place their money. While there's no such thing as the perfect winning strategy, David Duncan has the formula for breaking that losing streak and it's one that novices can follow as easily as the experts. The racetrack is one place where mixing business with pleasure should be the goal. This is the ultimate manual for everyone who shares that belief. Buy with confidence. Clean, undamaged book with no damage to pages and minimal wear to the cover. Spine still tight, in very good condition. Remember if you are not happy, you are covered by our 100% money back guarantee. The New Complete Manual of Racing and Betting Systems This book is in very good condition and will be shipped within 24 hours of ordering. The cover may have some limited signs of wear but the pages are clean, intact and the spine remains undamaged. This book has clearly been well maintained and looked after thus far. Money back guarantee if you are not satisfied. See all our books here, order more than 1 book and get discounted shipping. Condition Very Good. The book has been read, but is in excellent condition. Pages are intact and not marred by notes or highlighting. The spine remains undamaged. Condition Good. The book has been read but remains in clean condition. All pages are intact and the cover is intact. Some minor wear to the spine. Item is in very good condition.

Book is in Used Good condition. Pages and cover are clean and intact. Used items may not include supplementary materials such as CDs or access codes. May show signs of minor shelf wear and contain limited notes and highlighting. All Rights Reserved. VG paperback VG paperback We have over 80,000 books in stock covering a wide range of subjects and authors, but are particularly strong in children's books, detective fiction and aviation. Books are accurately and carefully described.

Orders are despatched within one working day, and very securely packed to prevent any damage. We are always happy to answer any queries, or supply a scan or digital photograph. Return postage will also be refunded if the book is not as described. All Rights Reserved. Something went wrong. View cart for details. User Agreement, Privacy, Cookies and AdChoice Norton Secured powered by Verisign. Something went wrong. Looks like this page is missing. If you still need help, visit our help pages. All Rights Reserved. User Agreement, Privacy, Cookies and AdChoice Norton Secured powered by Verisign.

<https://inclinedigital.com/wp-content/plugins/formcraft/file-upload/server/content/files/162848395ccb4e--bunn-cwtf15-3-manual-1.pdf>

<http://eco-region31.ru/boss-db-60-dr-beat-metronome-manual-0>